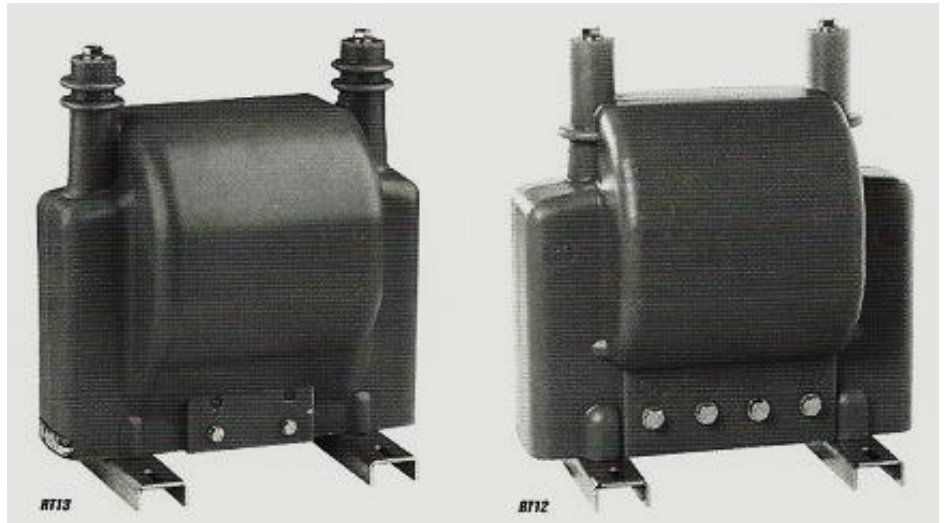


## Single Phase 2-Pole Voltage transformer

### RT SERIES



- Indoor
- 3.6 – 7.2 – 12 – 17.5 – 24 – 36 KV
- High performance characteristics

Double pole voltage transformer vacuum moulded in self-extinguishing epoxy resin for measurement of AC voltages between phases up to 36KV with rated outputs up to 200 VA cl0.2 or 300 VA cl0.5.

This range is also suitable for the power supply of auxiliaries up to 5000 VA c1A.

#### Technical data

Rated insulation level	3.6/16/45 Kv to 36/70/170 Kv
primary voltage Upn	Up to 33000V
secondary voltage Usn	100 - 110 -220V
Frequency	50 or 60 Hz
Rated output	Up to 200VA cl0.2-300VA cl0.5-500VA cl1
Accuracy class	0.2 - 0.5 - 1 - 3 - 3P - 6P
Voltage factor	1.2 Upn continuously
Thermal limiting output	Up to 5000 VA
Insulation class	A
Altitude	1000 m
Ambient temperature	-5C° to + 40 C° -25C° to + 40 C° -40C° to + 40 C°
Standards	IEC60044-2, IEC61869-3

#### Other characteristics on request

Secondary Voltage Usn	10 to 600 V
Ambient temperature	Up to + 110 °C
Scondary windings	Up to 3 secondary windings

\*This document is the property of Pars Shar and maybe changed without prior notice\*



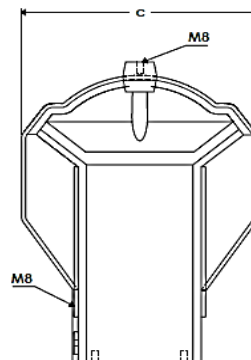
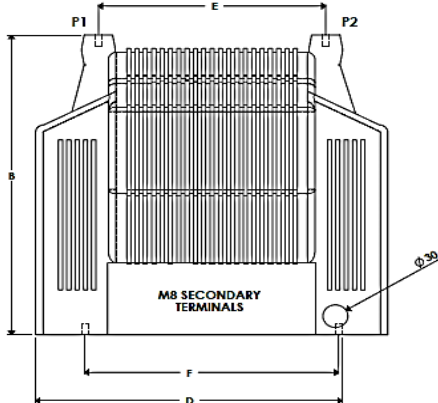
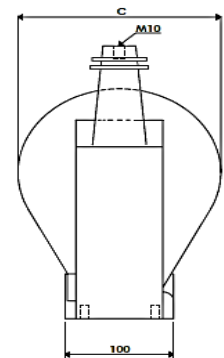
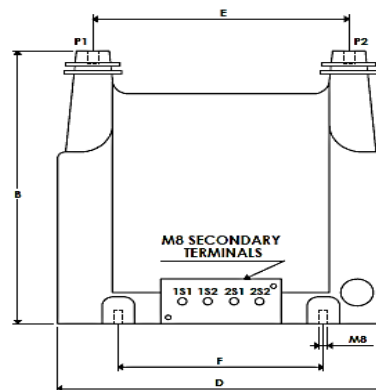
Selection table

Type	Un kv	Up kv	Rated output maximum VA			Thermal output VA
			C10.5	C11	C13	
			RT13	24/50/125	up to 22	
RT15	24/50/125	up to 22	150	250	1000	up to 1500
RT26	36/70/170	up to 33	300	500	2000	up to 4000

Dimensions

Type	weight kg	B mm	C mm	D mm	E mm	F mm	K mm
RT13	24	305	187	300	236	190	80
RT15	36	307	210	354	203	300	69
RT26	62	415	284	423	300	305	107

RT13-15



RT26

\*This document is the property of Pars Shar and maybe changed without prior notice\*