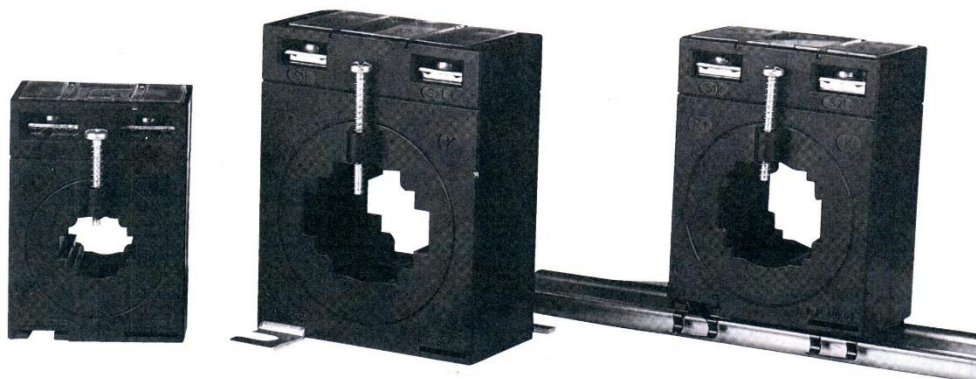




Cable or Bar Primary Current Transformers L SERIES



- Primary current from 50A to 4800A
- For bus bars 20,25,30,40,50,60,80 or 100 mm wide
- For cable diameter up to Ø 60 mm
- Terminal cover as standard for enhanced safety

Technical data

Highest voltage for equipment	750 V
power-frequency withstand voltage	3000 V
primary current I _{pn}	50 to 4800A
secondary current I _{sn}	5 or 1A
Frequency	50 or 60 Hz
Rated output	1 to 15 VA
Accuracy class	0.5 - 1 - 3
Security factor	5 to 30
Continuous thermal current	1.2 I _{pn}
short-time thermal current I _{th}	80 I _{pn} . 1s or 80 I _{pn} .1s
Dynamic current I _{dyn}	2.5I _{th}
Insulation class	A
Altitude	1000 m
Ambient temperature	-5C° to + 40 C° -25C° to + 40 C° -40C° to + 40 C°
Standards	IEC60044-1, IEC61869-2,ANSI C57.13

Other characteristics on request

Highest voltage for equipment	Up to 1200 V
power-frequency withstand voltage	Up to 6 KV
secondary current I _{sn}	0.01 to 0.5 A
Frequency	1 to 10000 Hz
Continues thermal current	1.2 to 1.5I _{pn} and 2I _{pn}
Ambient temperature	-40C° to + 70 C°
Standard	ANSI C57.13 – CAN3 C13 – AS 1675

Moulded case current transformers for the measurement of AC currents from 50A to 4800A.

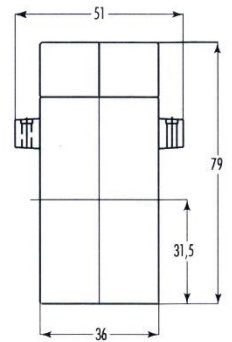
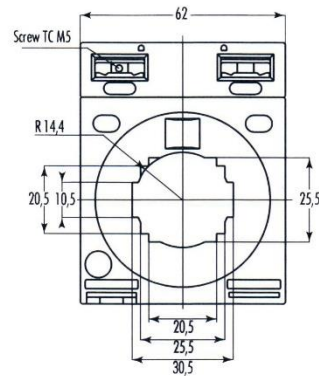
They are made of a non-flammable plastic material. This new range of current transformers has been designed for an easy installation: all transformers can be delivered with DIN rail clips. They are equipped as standard with a sealable terminal cover to comply with the most demanding safety requirements. This range include current transformers for measuring duties and is suitable for every simple application.

This document is the property of Pars Shar and maybe changed without prior notice

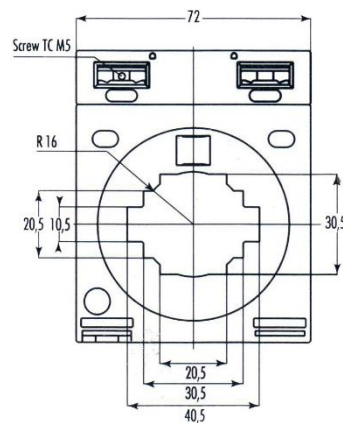
L SERIES

selection table				
Ip	Type	Output		
		c13	c11	C10.5
A		Maximum VA		
50	L3A	1		
	L4A	1.25		
60	L3A	1.25		
	L4A	2.5		
75	L3A	2.5		
	L4A	2.5		
100	L3A	3.75	2.5	
	L4A	3.75	2.5	
125	L3A	3.75	2.5	
	L4A	3.75	2.5	
150	L3A	5	3.75	2.5
	L4A	5	3.75	2.5
200	L3A	5	3.75	2.5
	L4A	7.5	5	2.5
250	L3A	10	7.5	5
	L4A	10	7.5	5
300	L3A	10	7.5	7.5
	L4A	15	7.5	5
400	L3A	15	10	10
	L4A	15	15	10
500	L3A	15	15	15
	L4A	15	15	10
600	L3A	15	15	15
	L4A	15	15	10
750	L3A	15	15	15
	L4A	15	15	15
1000	L4A	15	15	15

L3A



L4A



This document is the property of Pars Shar and maybe changed without prior notice