

IOR SERIES

Installing on circuit breaker



- **Indoor**
- **24 KV**
- **Primary current from 50 to 400 A**
- **Cast-resin insulated**
- **Installing on circuit breakers**

Current transformers vacuum moulded in self-extinguishing epoxy resin for the measurement of AC currents up to 400A.

Technical data

Rated insulation level	24/50/125
primary current I _{pn}	Up to 400A
Secondary current I _{sn}	5 or 1 A
Frequency	50 or 60 Hz
Rated output	1 to 5 VA
Accuracy class	0.2 - 0.2S -0.5-0.5S-1-3-5P-10P-ClX
Security factor	5-10
Accuracy limit factor	5 to 20
Continuous thermal current	1.2 I _{pn}
Short-time thermal current I _{th}	Up to 100 I _{pn}
Dynamic current I _{dyn}	2.5 I _{th}
Insulation class	E
Altitude	1000 m
Ambient temperature	-5C° to + 40 C° -25C° to + 40 C° -40C° to + 40 C°
Standards	IEC60044-1, IEC61869-2,ANSI C57.13 , IEC60044-6

Other characteristics on request

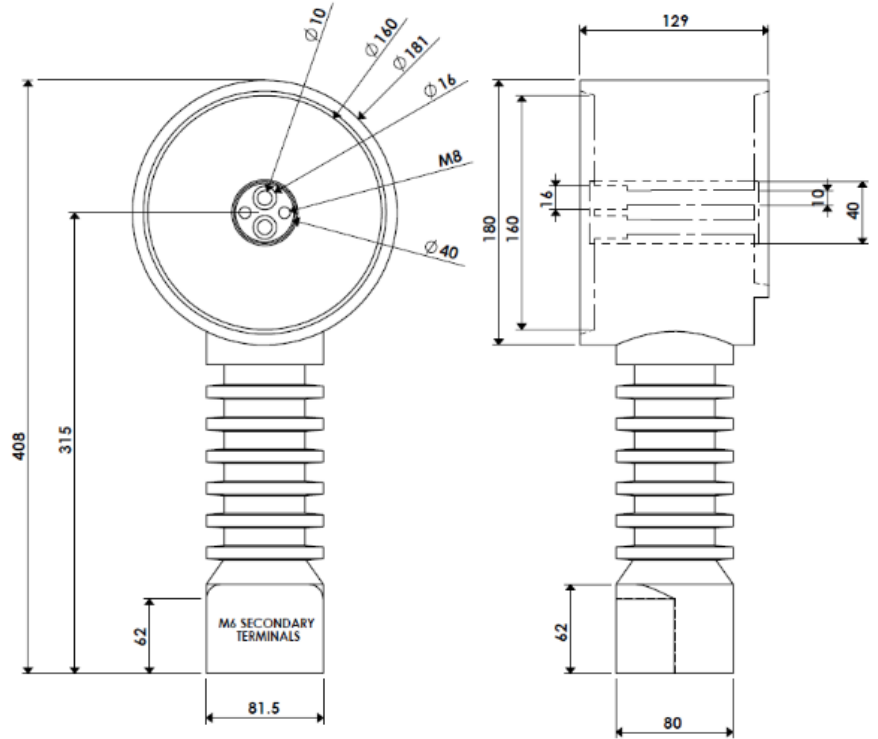
Continues thermal current	1.2 to 1.5I _{pn} and 2I _{pn}
Ambient temperature	Up to + 110C°
Standard	ANSI C57.13, CAN13- AS1675

This document is the property of Pars Shar and maybe changed without prior notice

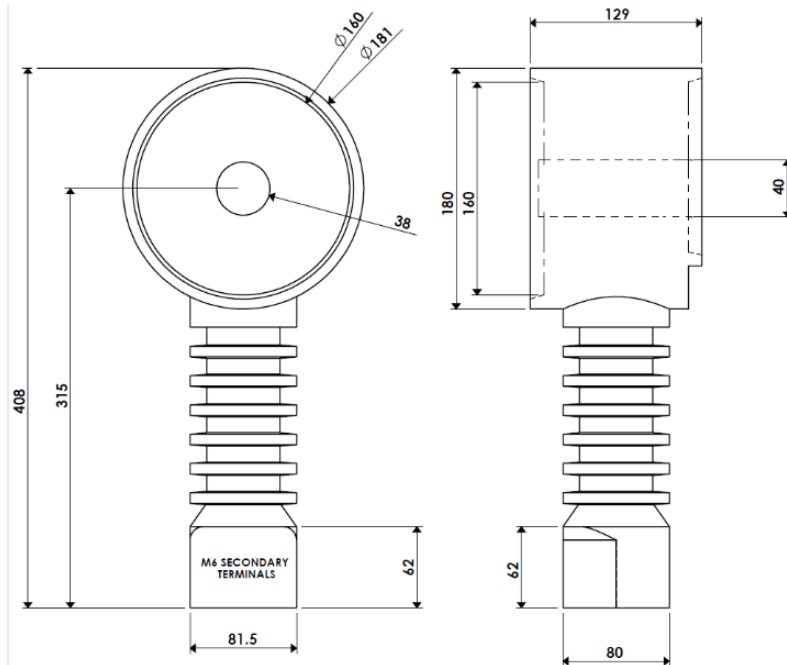


Selection dimension

IOR



IORW



This document is the property of Pars Shar and maybe changed without prior notice