

Single Phase 1-Pole Voltage transformer

RU SERIES



- Indoor
- 3.6 – 7.2 – 12 – 17.5 – 24 – 36 KV
- Primary voltage up to 33000: $\sqrt{3}$

Single pole voltage transformer vacuum moulded in self-extinguishing epoxy resin for measurement of AC voltages between phase and earth up to 33000: $\sqrt{3}$ V.

This range is also suitable for the power supply of auxiliaries up to 5000 VA.

Technical data

Rated insulation level	3.6/16/45 Kv to 36/70/250 Kv
primary voltage U_{pn}	Up to 33000: $\sqrt{3}$ V
secondary voltage U_{sn}	100 $\sqrt{3}$ - 110 $\sqrt{3}$ V
Frequency	50 or 60 Hz
Rated output	Up to 200VA cl0.2-500VA cl0.5-1000VA cl1
Accuracy class	0.2 - 0.5 - 1 - 3 - 3P - 6P
Voltage factor	1.2 U_{pn} continuously
Thermal limiting output	Up to 5000 VA
Insulation class	A
Altitude	1000 m
Ambient temperature	-5C° to + 40 C° -25C° to + 40 C° -40C° to + 40 C°
Standards	IEC60044-2, IEC61869-3

Other characteristics on request

Secondary Voltage U_{sn}	24: $\sqrt{3}$ to 380: $\sqrt{3}$
Voltage factor	1.9 U_{pn} 8h
Ambient temperature	Up to + 110 °C
Secondary windings	Up to 3 secondary windings
Residual voltage winding	100:3 V 50VA cl3 - Delta convection

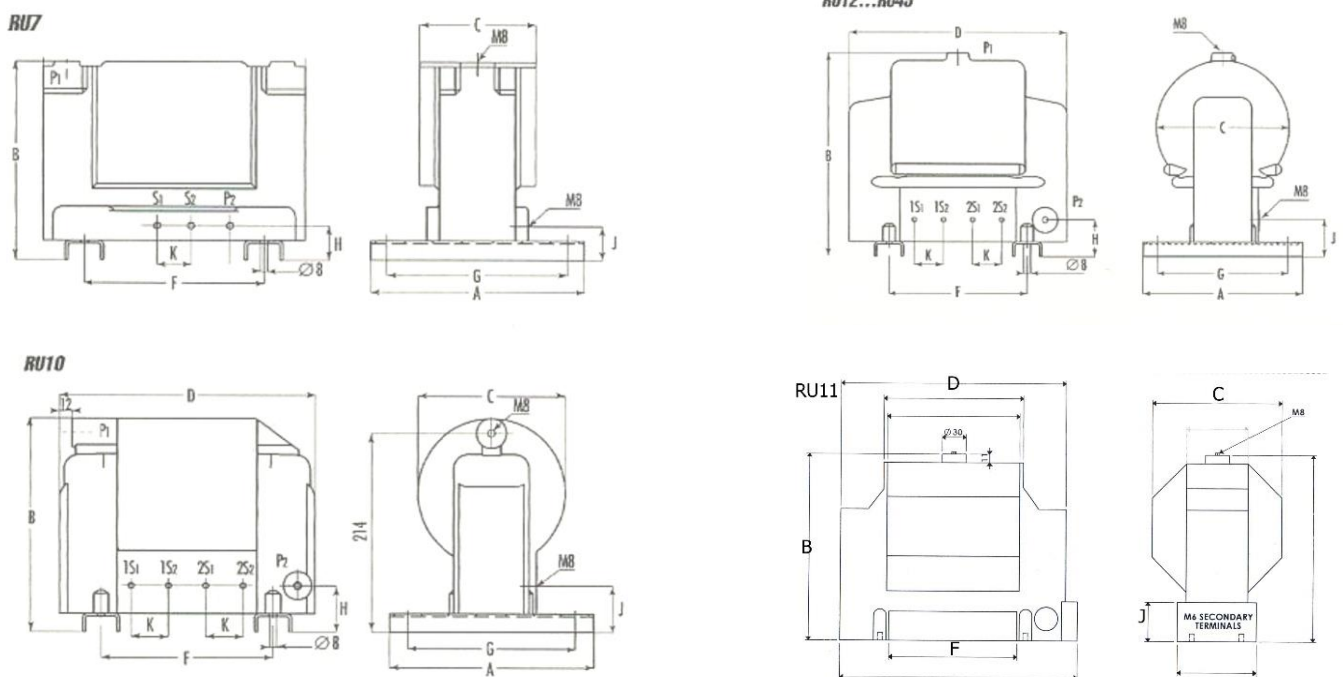
This document is the property of Pars Shar and maybe changed without prior notice

Selection table

Type	Un kv	Up kv	Rated output maximum VA				Thermal output VA
			C1 0.2	C10.5	C11	C13	
RU7	7.2/20/60	up to 6.6:√3	-	50	100	150	up to 300
RU10	12/28/75	up to 11:√3	-	50	100	150	up to 300
RU11	12/28/75	up to 11:√3	-	50	100	150	up to 300
RU12	24/50/125	up to 22:√3	20	50	100	500	up to 1000
RU15	24/50/125	up to 22:√3	25	50	200	1000	up to 1500
RU26	36/70/170	up to 33:√3	30	150	300	1000	up to 2500
RU30	63/70/170	up to 33:√3	50	100	500	2000	up to 5000

Dimensions

Type	weight kg	A mm	B mm	C mm	D mm	F mm
RU7	16	220	205	120	270	185
RU10	16	220	225	165	277	185
RU11	16	220	238	164	301	184
RU12	27	220	268	185	299	190
RU15	34	220	299	211	354	298
RU26	49	220	417	284	423	305
RU30	90	236	352	260	392	280



This document is the property of Pars Shar and maybe changed without prior notice