

Bushing Current Transformers CB SERIES



- Indoor or Outdoor
- Primary current from 50 to 60000 A
- Inner diameter from 40mm to 500 mm
- Insulation 0.75/4 kV
- Measurement and protection

Current transformers moulded in self-extinguishing resin for the measurement of AC current from 50 to 60000A.

With inner diameters between 40 and 500 mm, these transformers are often used on bushing of power transformers. Or on generator bushing insulators. 2 versions, indoor or outdoor, are available. The outdoor version is equipped with weatherproof terminal box fitted with 2 cable glands.

Technical data

Highest voltage for equipment	750V
power-frequency withstand voltage	4000V
primary current I _{pn}	50 to 60000A
secondary current I _{sn}	5 or 1A
Frequency	50 or 60 Hz
Rated output	1 to 500 VA
Accuracy class	0.5 - 1 - 3 - 5p - 10p -ClX
Security factor	5 to 30
Accuracy limit factor	5-10-15-20-30
Continuous thermal current	1.2 to 1.5I _{pn} and 2I _{pn}
short-time thermal current I _{th}	25 to 1000I _{pn}
Dynamic current I _{dyn}	2.5I _{th}
Insulation class	E
Altitude	1000 m
	-5C° to + 40 C°
	-25C° to + 40 C°
Ambient temperature	-40C° to + 40 C°
Standards	IEC60044-1, IEC61869-2, IEC60044-2

Other characteristics on request

Highest voltage for equipment	Up to 2400 V
power-frequency withstand voltage	Up to 11 KV
secondary current I _{sn}	0.005 to 10 A
Frequency	1 to 10000 Hz
Accuracy class	0.1 - 0.2 - 0.2S -0.5S-5P-10P-clX
Accuracy limit factor	5 - 10 - 15 - 20 - 30
Multi - ratio	By secondary tapping
Multiple cores	Up to 4 cores
Continuous thermal current	1.2 to 1.5I _{pn} and 2I _{pn}
Ambient temperature	-40C° to + 70 C°
Standard	ANSI C57.13 – CAN3 C13 – AS 1675

Accessories/Option

Water proof terminal cover	Standard on outdoor version
----------------------------	-----------------------------

This document is the property of Pars Shar and maybe changed without prior notice

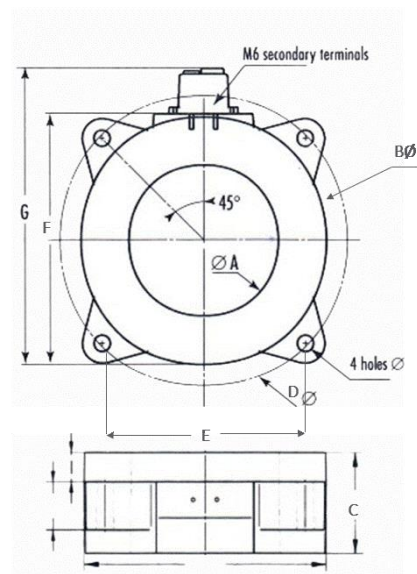


Selection table and dimension

CB SERIES

selection table and dimensions						
Type	A	B	C	D	E	F
	mm	mm	mm	mm	mm	mm
CB150	40	150	80	178	126	163
	70	150	80	178	126	163
	90	150	80	178	126	163
	110	150	80	178	126	163
CB200	125	200	100	234	165	216
	135	200	60	234	165	216
	100	200	100	234	165	216
	100	200	150	234	165	216
	135	200	100	234	165	216
CB210	100	210	60	249	176	226
	120	210	60	249	176	226
	100	210	100	249	176	226
	80	210	120	249	176	226
	120	210	120	249	176	226
CB230	160	230	80	262	183	243
CB237	130	237	60	262	185	254
CB240	106	240	60	262	185	254
	120	240	60	262	185	254
	130	240	60	262	185	254
	130	240	80	262	185	254
	106	240	100	262	185	254
CB250	120	250	75	284	201	267
	120	250	75	284	201	267
	70	250	80	284	201	267
	80	250	80	284	201	267
	90	250	80	284	201	267
	100	250	80	284	201	267
	110	250	80	284	201	267
	120	250	80	284	201	267
	150	250	80	284	201	267
	160	250	80	284	201	267
	120	250	50	284	201	267
	150	250	50	284	201	267
	150	250	60	284	201	267
	150	250	70	284	201	267
	90	250	100	284	201	267
	120	250	100	284	201	267
	150	250	100	284	201	267
	170	250	100	284	201	267
	80	250	120	284	201	267
	100	250	120	284	201	267
120	250	120	284	201	267	
150	250	120	284	201	267	
160	250	120	284	201	267	
170	250	120	284	201	267	
180	250	120	284	201	267	
110	250	250	284	201	267	

selection table and dimensions						
Type	A	B	C	D	E	F
	mm	mm	mm	mm	mm	mm
CB280	80	280	100	326	231	300.5
	100	280	150	326	231	300.5
	100	280	200	326	231	300.5
	120	280	100	326	231	300.5
	150	280	100	326	231	300.5
	120	280	150	326	231	300.5
	150	280	150	326	231	300.5
	150	280	200	326	231	300.5
	170	280	80	326	231	300.5
	180	280	80	326	231	300.5
CB300	150	300	50	333.5	236	335
	150	300	70	333.5	236	335
	160	300	70	333.5	236	335
	170	300	70	333.5	236	335
	150	300	90	333.5	236	335
	110	300	250	333.5	236	335
	150	300	250	333.5	236	335
	150	300	200	333.5	236	335
	170	300	200	333.5	236	335
	180	300	50	333.5	236	335
CB300	180	300	75	333.5	236	335
	180	300	90	333.5	236	335
	180	300	115	333.5	236	335
	200	300	50	333.5	236	335
	200	300	50	333.5	236	335
	200	300	75	333.5	236	335
	200	300	90	333.5	236	335
	200	300	90	333.5	236	335
	200	300	90	333.5	236	335
	200	300	90	333.5	236	335

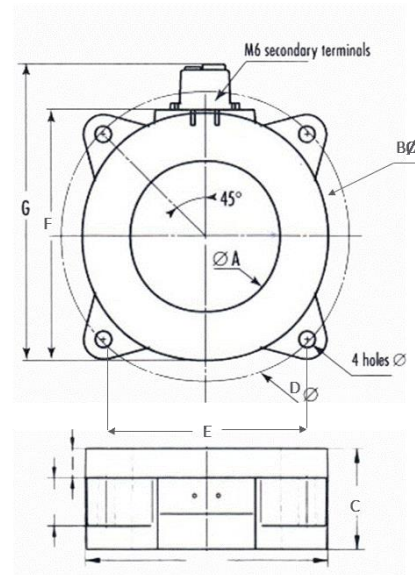


This document is the property of Pars Shar and maybe changed without prior notice

Selection table and dimension

CB SERIES

selection table and dimensions						
Type	A	B	C	D	E	F
	mm	mm	mm	mm	mm	mm
CB350	100	350	180	383	271	376
	170	350	180	383	271	376
	220	350	180	383	271	376
	75	350	200	383	271	376
	100	350	200	383	271	376
	120	350	200	383	271	376
	150	350	200	383	271	376
	200	350	200	383	271	376
	100	350	260	383	271	376
	120	350	260	383	271	376
CB360	140	360	80	397	281	386
	180	360	80	397	281	386
	220	360	80	397	281	386
	280	360	80	397	281	386
	120	360	100	397	281	386
	150	360	100	397	281	386
	150	360	140	397	281	386
	200	360	100	397	281	386
	230	360	60	397	281	386
	250	360	100	397	281	386
CB400	150	400	120	438	310	417
	200	400	120	438	310	417
	250	400	120	438	310	417
	250	400	170	438	310	417
	300	400	120	438	309	418
	310	400	120	438	309	418
	300	400	200	438	309	418



This document is the property of Pars Shar and maybe changed without prior notice