



Post Type Current Transformers

IWB SERIES

- **Indoor**
- **3.6-7.2-12-17.5-24 KV**
- **Primary current from 50 to 4000 A**
- **Cast-resin insulated**

Current transformers vacuum moulded in self-extinguishing epoxy resin for the measurement of AC currents up to 4000A.

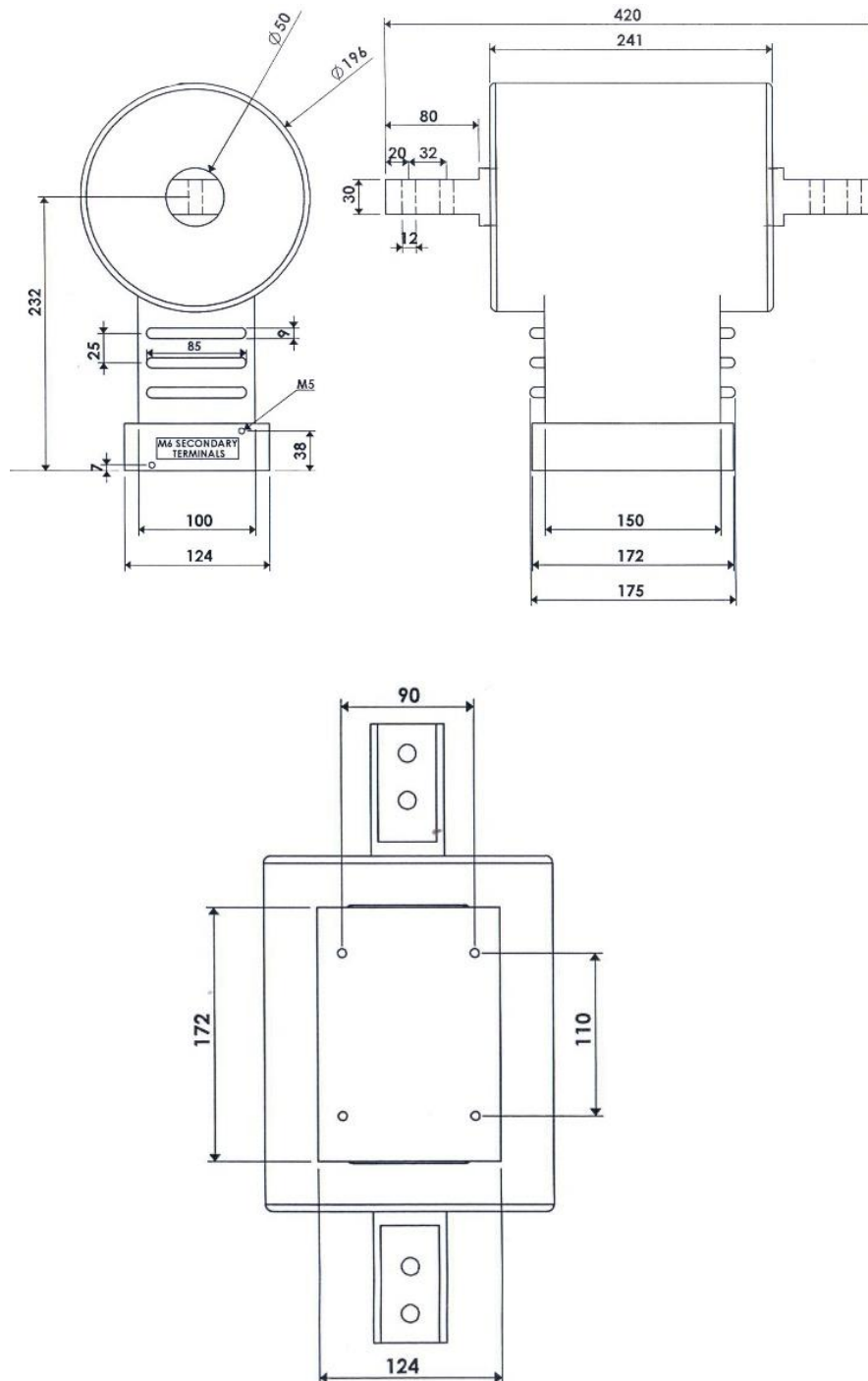
Technical data	
Rated insulation level	3.6/20/60kV to 24/70/170 kV
primary current I _{pn}	50 to 4000A
Secondary current I _{sn}	5 or 1 A
Frequency	50 or 60 Hz
Rated output	1 to 100 VA
Accuracy class	0.2 - 0.2S -0.5-0.5S-1-3-5P-10P-ClX
Security factor	5 to 20
Accuracy limit factor	5-10-15-20-30
Short-time thermal current I _{th}	80 to 1000 I _{pn}
Dynamic current I _{dyn}	2.5 I _{th}
Insulation class	E
Continues thermal current	1.2 to 1.5I _{pn} and 2I _{pn}
Altitude	1000 m
Ambient temperature	-5C° to + 40 C° -25C° to + 40 C° -40C° to + 40 C°
Standards	IEC60044-1, IEC61869-2,IEC60044-6

Other characteristics on request	
Secondary current I _{sn}	0.005 to 10 A
Multi ratio	By secondary tapping
Multiple cores	Up to 5 separate cores
Continuous thermal current	1.2 to 1.5I _{pn} and 2I _{pn}
Ambient temperature	Up to + 110C°
Standard	ANSI C57.13, CAN13- AS1675

This document is the property of Pars Shar and maybe changed without prior notice



Selection dimension



This document is the property of Pars Shar and maybe changed without prior notice