

Wound primary Current Transformers

T SERIES



- **Indoor**
- 3.6- 7.2 - 12 - 17.5 -24 - 36 KV
- Primary current from 0 to 600 A
- Ith up to 1000 Ipn
- Cast-resin insulated

Current transformers vacuum moulded in self-extinguishing epoxy resin for the measurement of AC currents up to 600A.

This range is also available with double ratio up to 300-600A by primary change-over.

Technical data

Rated insulation level	3.6/10/40 to 36/70/170 kV
primary current Ipn	Up to 600A
Secondary current Isn	5 or 1 A
Frequency	50 or 60 Hz
Rated output	1 to 100 VA
Accuracy class	0.1 - 0.2 - 0.2S -0.5-0.5S-1-3-5P-10P-CIX
Security factor	5 to 20
Accuracy limit factor	5-10-15-20-30
Continuous thermal current	1.2 Ipn
Short-time thermal current Ith	Up to 1000 Ipn
Dynamic current Idyn	2.5 Ith
Insulation class	E
Altitude	1000 m
Ambient temperature	-5C° to + 40 C° -25C° to + 40 C° -40C° to + 40 C°
Standards	IEC60044-1, IEC61869-2,IEC60044-6

Other characteristics on request

Double- ratio	5-10 to 300-600 A by primary change -over
Secondary current Isn	0.05 to 10 A
Multiple cores	Up to 3 cores
Continues thermal current	1.2 to 1.5Ipn and 2Ipn
Ambient temperature	Up to + 110C°
Standard	ANSI C57.13, CAN13- AS1675

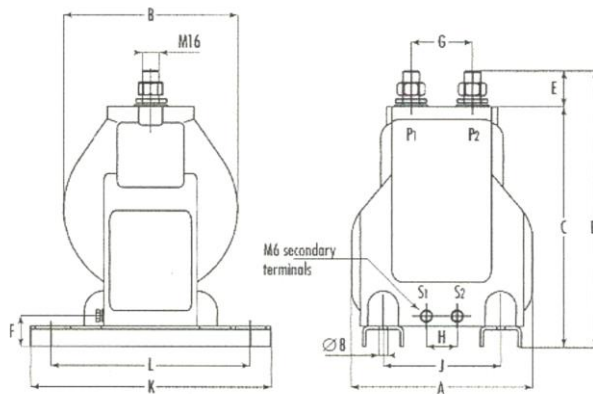
This document is the property of Pars Shar and maybe changed without prior notice



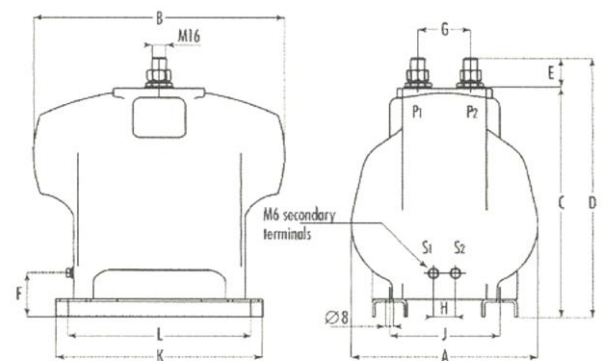
Selection table and dimension

Type	Un kv	Weight kg	A mm	B mm	C mm	D mm	E mm	F mm	J mm	K mm	L mm	G mm
T2	17.5/38/95	11	178	170	215	250	35	103	110	240	206	71.5
T3	17.5/38/95	13	178	190	215	250	35	116	120	240	206	72
T5	17.5/38/95	25	212	280	255	290	35	-	125	240	206	-
T20	24/50/125	18	255	176	295	340	35	-	160	220	180	-
T22	24/50/125	25	252	232	270	305	35	80	180	220	180	60
T30	36/70/170	24	275	212	310	345	35	40	185	220	180	60
T32	36/70/170	39	272	254	351	396	35	-	180	220	180	-

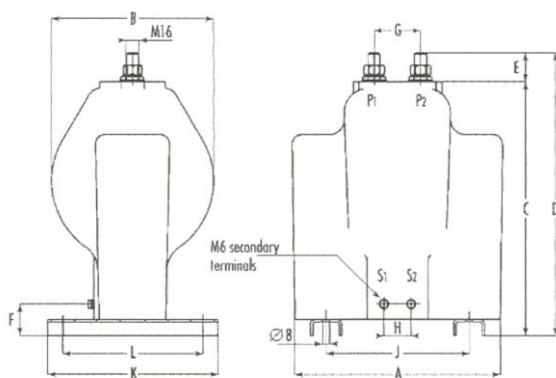
T2 - T3



T5



T20... T32



This document is the property of Pars Shar and maybe changed without prior notice