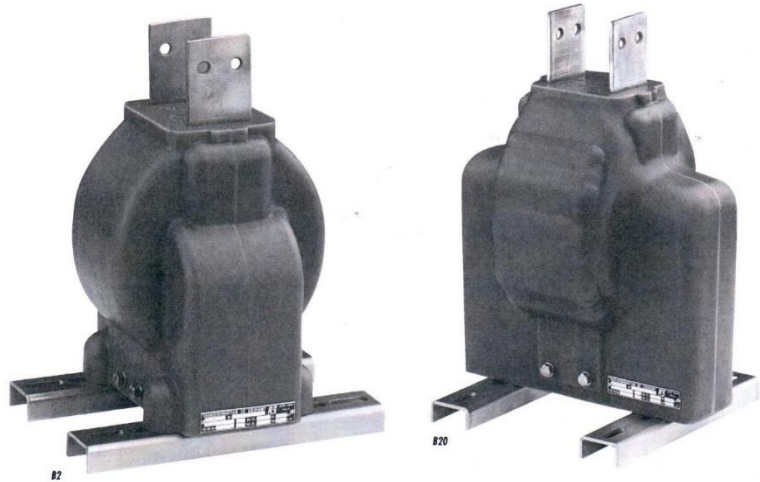


Wound primary Current Transformers B SERIES



- **Indoor**
- 3.6- 7.2 - 12 - 17.5 -24 - 36 KV
- Primary current from 0 to 800 A
- Ith up to 1000 Ipn
- Connection by bar
- Cast-rein insulated

*Current transformers vacuum
Moulded in self-extinguishing epoxy
resin for the measurement of AC
currents up to 800A.*

*This range is particularly suitable
when primary connection using bars
is required*

Technical data

Rated insulation level	3.6/10/40 kV to 36/70/170 kV
primary current Ipn	Up to 800A
Secondary current Isn	5 or 1 A
Frequency	50 or 60 Hz
Rated output	1 to 100 VA
Accuracy class	0.1 - 0.2 - 0.2S -0.5-0.5S-1-3-5P-10P-CIX
Security factor	5 to 10
Accuracy limit factor	5-10-15-20-30
Continuous thermal current	1.2 Ipn
Short-time thermal current Ith	Up to 1000 Ipn
Dynamic current Idyn	2.5 Ith
Insulation class	E
Altitude	1000 m
Ambient temperature	-5C° to + 40 C° -25C° to + 40 C° -40C° to + 40 C°
Standards	IEC60044-1, IEC61869-2,ANSI C57.13 , IEC60044-6

Other characteristics on request

Secondary current Isn	0.005 to 10 A
Multiple cores	Up to 5 separate cores
Continues thermal current	1.2 to 1.5Ipn and 2Ipn
Ambient temperature	Up to + 110C°
Standard	ANSI C57.13, CAN13- AS1675

This document is the property of Pars Shar and maybe changed without prior notice

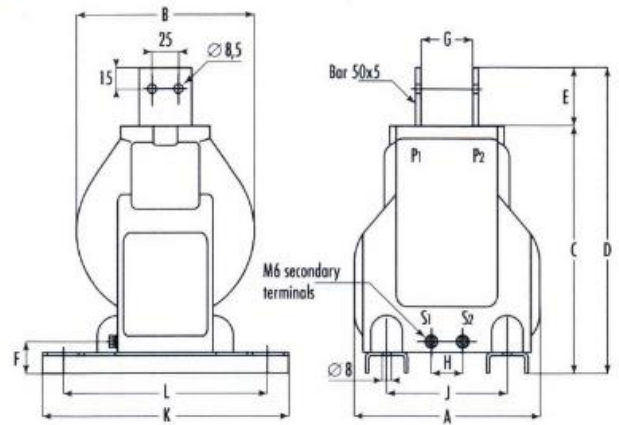


B SERIES

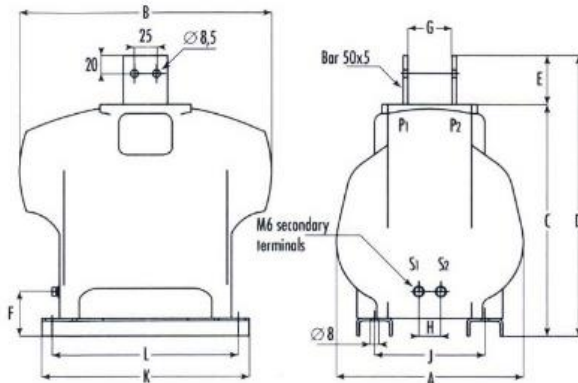
Selection table and dimension

Type	Un KV	Weight kg	A mm	B mm	C mm	D mm	E mm	G mm	J mm	K mm	L mm
B2	17.5/38/95	11	178	170	235	290	55	60	115	236	196
B3	17.5/38/95	13	178	190	235	290	55	60	115	236	196
B5	17.5/38/95	25	212	280	260	315	55	50	125	236	200
B20	24/50/125	18	255	176	290	350	60	60	160	220	180
B22	24/50/125	25	252	232	293	353	60	60	180	220	180
B30	36/70/170	24	275	212	330	390	60	60	185	220	180
B32	36/70/170	39	272	254	346	406	60	60	180	220	180

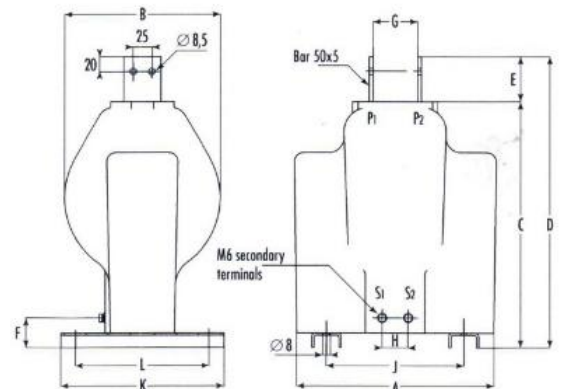
B2 - B3



B5



B20... B32



This document is the property of Pars Shar and maybe changed without prior notice